

# Type: 9324 I I (English)

## LOCK 9324 I I

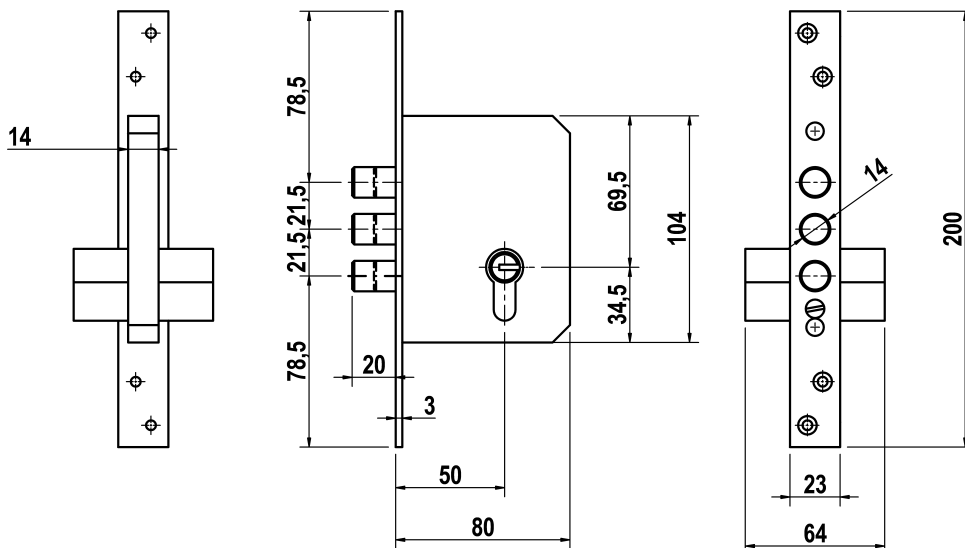
### Characteristics:

- Mortise lock for wooden doors.
- Backset 50mm.
- 4 bolts. 20mm projection with 2 key turns
- Front plate in steel 3mm thick, two-coating gold finish
- High resistance to corrosion.
- Security cylinder, ref. C253232L brass, with anti-drilling protection. Certified according to EN1303 Standard
- Protective shield ref. 6100 gold plated.
- Comply with EN12209:2017
  1. Category of Use: 1
  2. Durability: A (> 50.000 cycles)
  3. Door Mass and Closing Force: 1
  4. Suitability for use on Fire Doors: 0
  5. Safety: 0
  6. Corrosion Resistance: 0
  7. Security and Drill Resistance. 1
  8. Type of Key and Locking: B

### USES

- Mortise lock for wooden doors. Max. door dimensions
- 1300x2500mm and 100 kg weight.
- Gap between frame and door 3 mm.

### Dimensions:



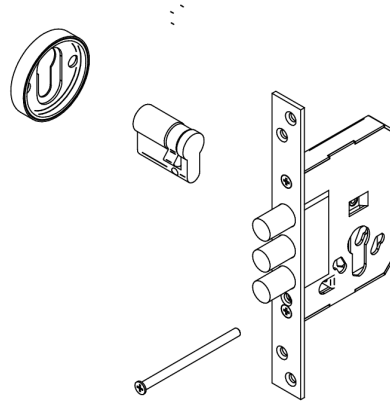


Modelos: 93241 I

La Industrial Cerrajera SA (LINCE)  
Urkizuaran, 10  
48230 Elorrio  
BIZKAIA (ESPAÑA)

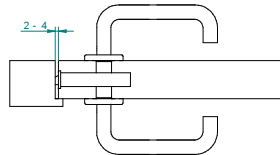
UNE-EN 12209:2004 (ES5454:2020)	1	A	1	0	0	0	1	B
1239	100956-003-a/22							

La cerradura debe instalarse en hojas de puerta que no superen una masa de 100 kg, una altura de 2.500 mm y una anchura de 1.300 mm.  
The lock must be installed indoors of 100 kg maximum, height 2.500mm and 1.300 width.



**IMPORTANTE:** con objeto de lograr un funcionamiento correcto, es necesario engrasar las partes móviles (picaporte, punto central, etc.) durante el montaje, y posteriormente cada 20.000 ciclos y al menos una vez por año.

**IMPORTANT:** in order to guaranty a correct use, it is compulsory to lubricate the driving parts (latch, central latch, etc.) while assembling, and afterwards every 20.000 cycles and at least once per year.



Holgura entre marco y puerta.  
Gap between frame and door