

# Type: 9540 IN45 (English)

## LOCK 9540 IN45

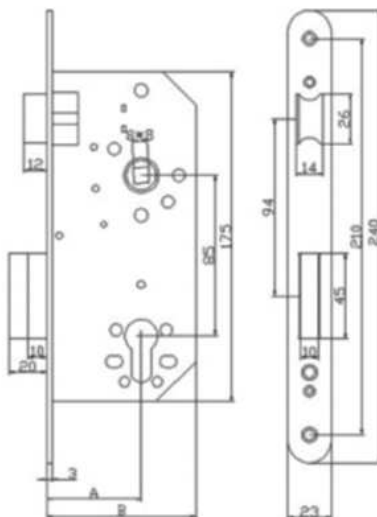
### Characteristics:

- Mortise lock for wooden doors with axe 85mm
- Backset 45 mm
- Spindle: 8mm
- Brass-plated steel front plate straight edge 3mm thick.
- Straight brass plated steel strike, 1mm thick
- Reversible latch.
- Nickel-plated steel deadbolt with 20mm projection (2 key turns)
- Traditional European cylinder 70mm in brass, ref. C053535L with three nickel-plated keys
- Comply with EN12209:2017
  1. Category of Use: 1
  2. Durability: A (> 50.000 cycles)
  3. Door Mass and Closing Force: 1
  4. Suitability for use on Fire Doors: 0
  5. Safety: 0
  6. Corrosion Resistance: 0
  7. Security and Drill Resistance. 1
  8. Type of Key and Locking: B

### USES

- Mortise lock for wooden doors. Max. door dimensions
- 1300x2500mm and 100 kg weight.
- Lock designed for use with spring-loaded handles.
- Gap between frame and door 3 mm.

### Dimensions:



<b>A (mm)</b>	40	45	50	60
<b>B (mm)</b>	69	74	79	89

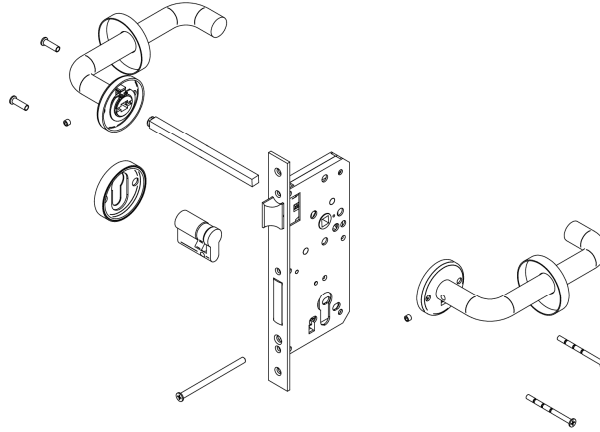


Modelos: 9540IN45

La Industrial Cerrajera SA (LINCE)  
Urkizuaran, 10  
48230 Elorrio  
BIZKAIA (ESPAÑA)

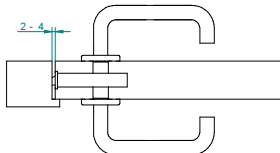
UNE-EN12209:2004 (ES5454:2020)	1	A	1	0	0	0	1	B
1239	100956-002-a/22							

La cerradura debe instalarse en hojas de puerta que no superen una masa de 100 kg, una altura de 2.500 mm y una anchura de 1.300 mm.  
The lock must be installed on door leaves not exceeding a mass of 100 kg, a height of 2,500 mm and a width of 1,300 mm.

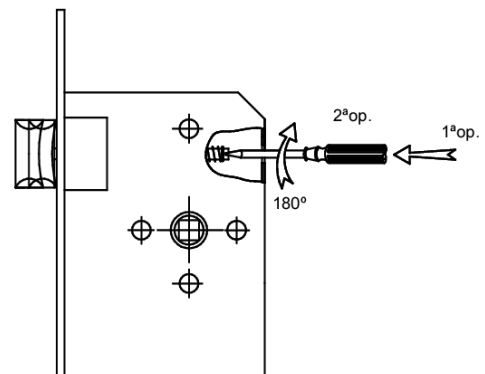


**IMPORTANTE:** con objeto de lograr un funcionamiento correcto, es necesario engrasar las partes móviles (picaporte, punto central, etc.) durante el montaje, y posteriormente cada 20.000 ciclos y al menos una vez por año.

**IMPORTANT:** in order to guaranty a correct use, it is compulsory to lubricate the driving parts (latch, central latch, etc.) while assembling, and afterwards every 20.000 cycles and at least once per year.



Holgura entre marco y puerta.  
Gap between frame and door.



Reversibilidad picaporte.  
Latch reversibility.