

Type: 95402N45 (English)

LOCK 95402N45

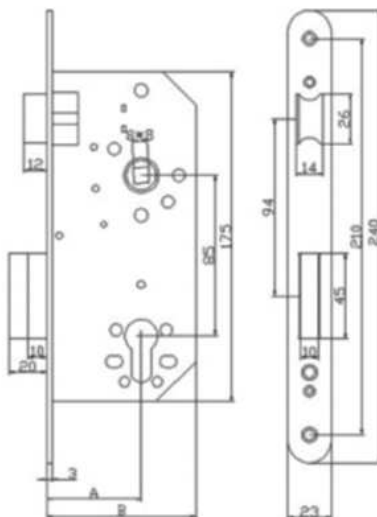
Characteristics:

- Mortise lock for wooden doors with axe 85mm
- Backset 45 mm
- Spindle: 8mm
- Silver-plated steel front plate straight edge 3mm thick.
- Straight silver plated steel strike, 1mm thick
- Reversible latch.
- Nickel-plated steel deadbolt with 20mm projection (2 key turns)
- Traditional European cylinder 70mm in nickel, ref. C053535N with three nickel-plated keys
- Comply with EN12209:2017
 1. Category of Use: 1
 2. Durability: A (> 50.000 cycles)
 3. Door Mass and Closing Force: 1
 4. Suitability for use on Fire Doors: 0
 5. Safety: 0
 6. Corrosion Resistance: 0
 7. Security and Drill Resistance. 1
 8. Type of Key and Locking: B

USES

- Mortise lock for wooden doors. Max. door dimensions
- 1300x2500mm and 100 kg weight.
- Lock designed for use with spring-loaded handles.
- Gap between frame and door 3 mm.

Dimensions:



A (mm)	40	45	50	60
B (mm)	69	74	79	89

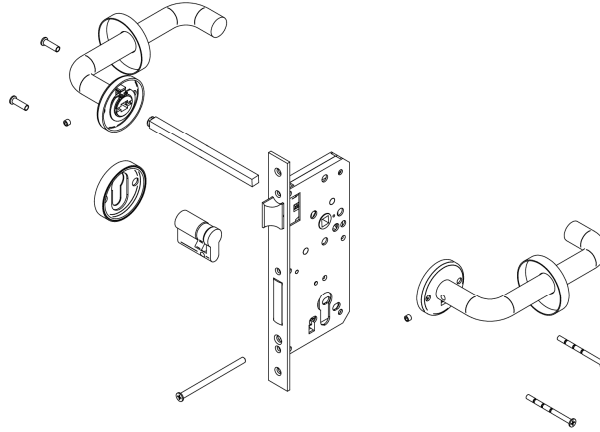


Modelos: 95402N45

La Industrial Cerrajera SA (LINCE)
 Urkizuaran, 10
 48230 Elorrio
 BIZKAIA (ESPAÑA)

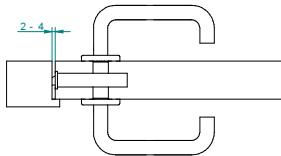
UNE-EN12209:2004 (ES5454:2020)	1	A	1	0	0	0	1	B
1239	100956-002-a/22							

La cerradura debe instalarse en hojas de puerta que no superen una masa de 100 kg, una altura de 2.500 mm y una anchura de 1.300 mm.
 The lock must be installed on door leaves not exceeding a mass of 100 kg, a height of 2,500 mm and a width of 1,300 mm.

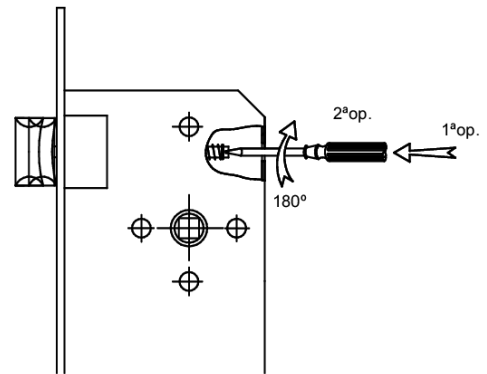


IMPORTANTE: con objeto de lograr un funcionamiento correcto, es necesario engrasar las partes móviles (picaporte, punto central, etc.) durante el montaje, y posteriormente cada 20.000 ciclos y al menos una vez por año.

IMPORTANT: in order to guaranty a correct use, it is compulsory to lubricate the driving parts (latch, central latch, etc.) while assembling, and afterwards every 20.000 cycles and at least once per year.



Holgura entre marco y puerta.
 Gap between frame and door.



Reversibilidad picaporte.
 Latch reversibility.